

STANDARD COUNTING SCALE

DATA BRIEF

Models XTC



XTC-2001, XTC-3001, XTC-4001

(See chart on back of page for dimensions and ordering number.)

Xpress Standard Counting Scales are the ideal solution, not only for simple counting, but also for advanced applications such as inventory control and storehouse systems. Due to advanced automatic reference optimization, all models are equipped with average piece weight enhancement.

The Xpress Standard Counting Scale is a high resolution parts counter with 1/500'000 internal resolution and advanced digital filtering technology. The scale assures you of accurate and repeatable counts every time. The Xpress Standard Counting Scale meets virtually every counting need in almost any industries.

Get accurate results, quickly, every time.

■ APPLICATIONS

- Piece counting
- Inventory control
- Straight weighing
- Stamping machines
- Printing departments
- Stock rooms
- Bulk and literature mailings
- Shipping and receiving departments

■ STANDARD FEATURES

- Easy to operate
- Robust construction for long life
- Bright blue easy to read VFD displays for weight, unit weight and quantity
- Full numeric 20 membrane keyboard
- 1/500'000 internal resolution
- Average Piece Weight (APW) Enhancement
- Accumulation and Advanced Memory feature
- Accumulator
- RS232 interface



XTC-1001

■ OPTIONS/ACCESSORIES

- RS232 interface cable

Display

3 part display (5 digit Weight, 6 digit Data, 6 digit Count)
12 mm height, green VFD

Internal Resolution

1/500,000

Displayed Resolution

Default: 1/10'000
Maximum: 1/20'000 or 1/25'000

Keyboard

20 membrane keyboard

Platter

5 lb model: 6.6" x 7.7" Stainless Steel
10/20/50 lb models: 9.5" x 13.5" Stainless Steel

Scale Dimensions

13.6" (L) x 13.6" (W) x 4.8" (H)

Units

lb, kg, g

Interface

RS232 (Accessory)

Power

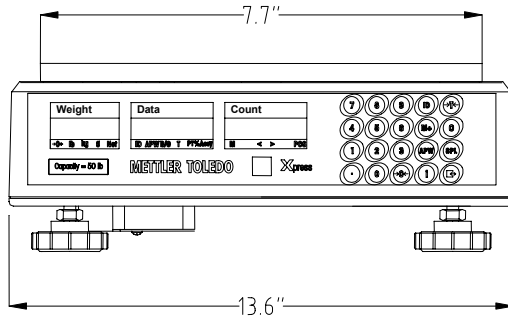
External adapter 12V/600mA

Recommended APW

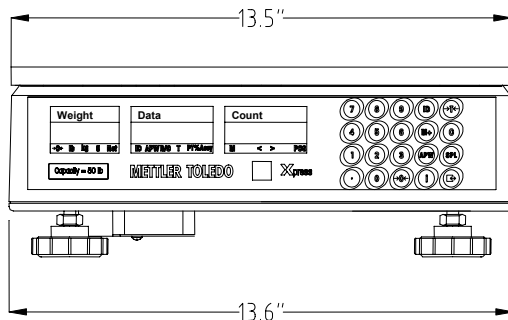
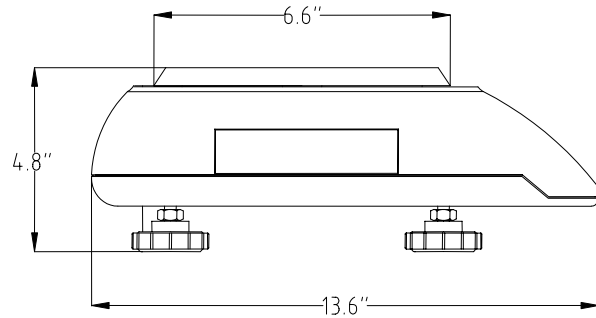
>1/5d (0.2d)
APW Enhanced

Operating Temperature

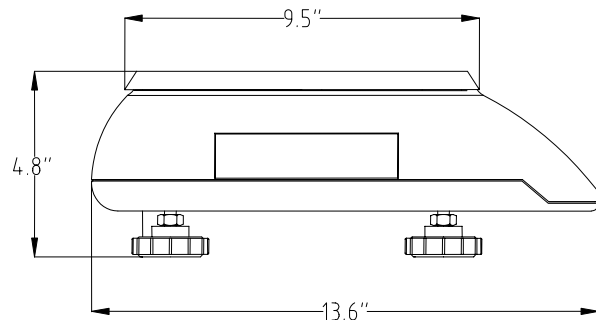
32°F to 104°F (0°C to +40°C)
10 to 90% humidity, non-condensing



XTC-1001



XTC-2001, XTC-3001, XTC-4001



Standard Counting Scales

Item #	Model	Capacity [lb]	Resolution [lb]	Shipping Information			
				L ["]	W ["]	H ["]	WT [lb]
71207702	XTC-1001	5	0.0002	18.3	16.5	8.7	11.0
71207703	XTC-2001	10	0.001	18.3	16.5	8.7	11.0
71207704	XTC-3001	20	0.001	18.3	16.5	8.7	11.0
71207705	XTC-4001	50	0.002	18.3	16.5	8.7	11.0